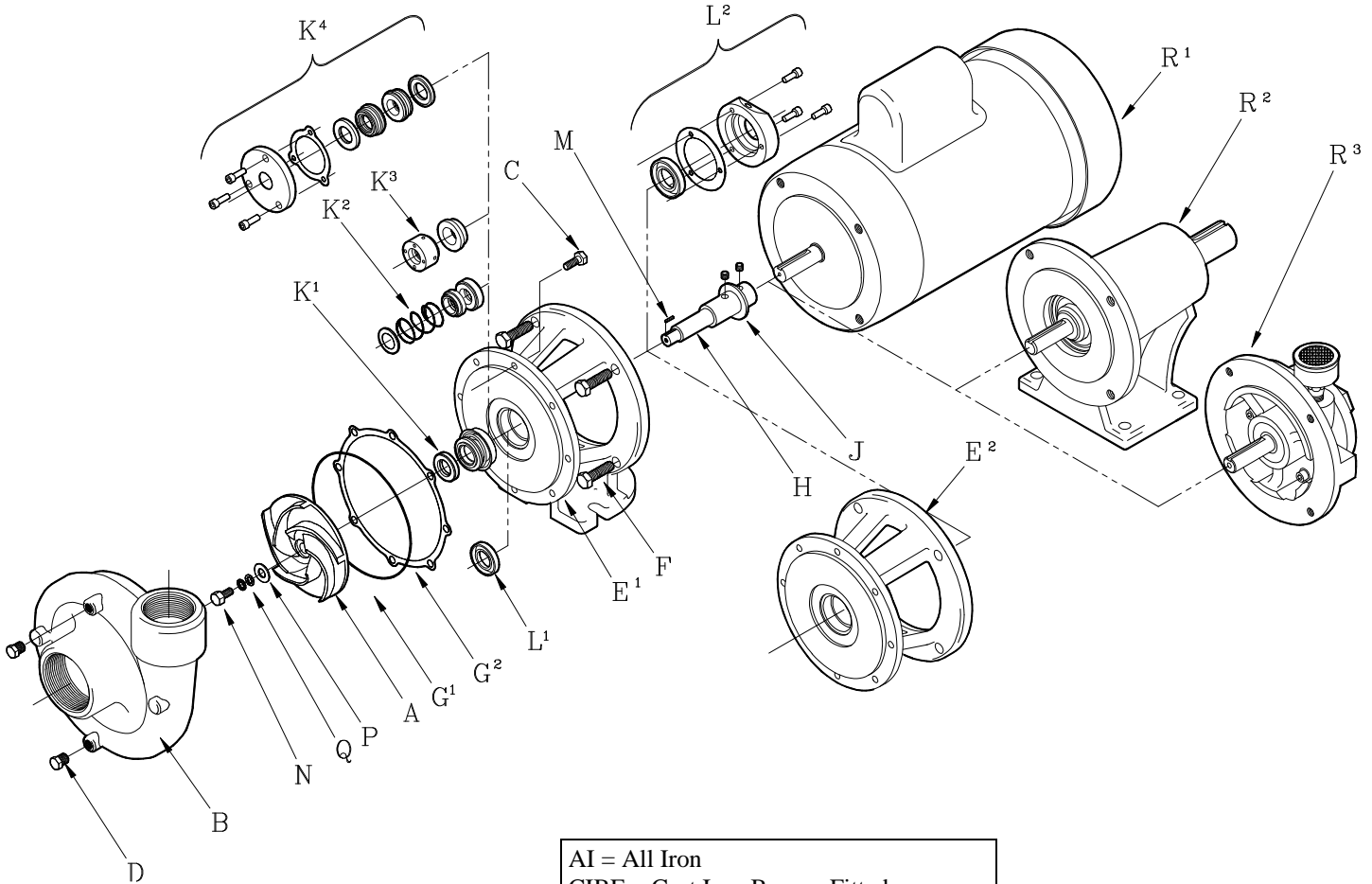
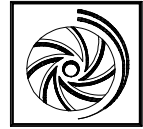




**PRICE PUMP CO.**

**CD (AI, AB, CIBF) Parts List**

Effective: June 17, 1997



AI = All Iron  
 CIBF = Cast Iron Bronze Fitted  
 AB = Bronze

		<b>CD100AI</b>	<b>CD100CIBF</b>	<b>★CD100AB</b>	<b>★CD150AI</b>	<b>★CD150CIBF</b>	<b>★CD150AB</b>
A.	Impeller ** Part No.-Specify diameter	2402-dia	2404-dia	2404-dia	2408-dia	2410-dia	2410-dia
B.	Volute	2401	2401	2403-0	2407-0	2407-0	2409-0
C.	Volute Bolts	0573 (4 rqd)	0573 (4 rqd)	0376 (4 rqd)	0573 (8 rqd)	0573 (8 rqd)	0376 (4 rqd)
D.	1/8" Pipe Plugs (2 rqd)	0557	0557	0558	0557	0557	0558
E <sup>1</sup> .	Bracket - with Foot	2426	2426	2400	2426	2426	2400
E <sup>2</sup> .	Bracket- without Foot	2428	2428	2440	2428	2428	2440
F.	Motor Bolts (4 rqd)	0588	0588	0592	0588	0588	0592

\*\*For Double Seal Impellers (add "DS" to Impeller P/N For Example: 2402DS)

★ These Models Use an O-Ring Volute Flange Gasket (G<sup>1</sup>)

Continued

**Price® Pump Company**

21775 8th Street East ♦ P.O. Box Q ♦ Sonoma, CA 95476-0329 ♦ (707) 938-8441 ♦ Fax (707) 938-0764

